

# HKS

**1000HR  
TBO!**

**4-stroke power**

# 700E

Pursuing the Ultimate in Engine Performance and Efficiency.



*HKS 700E WITH OPTION PARTS*

## Description

**Air-cooled, four-stroke. 2 cylinders, horizontally opposed.**

**Dry sump forced lubrication.**

**Oil cooled cylinder heads.**

**Nickel ceramic composite coated cylinders.**

**One central camshaft-pushrods-OHV, hydraulic lifters.**

**Dual CDI, Electric starter, Generator**

**HKS AVIATION**  
HKS AVIATION CO., LTD.

**1000HR  
TBO!**

MADE IN JAPAN

# HKS 700E 4-stroke power

## Specifications :

**Configuration :** 2 Cylinders 4-Stroke Engine  
with Horizontally Opposed Cylinders  
4 Valves per Cylinder

**Bore × Stroke :** 85 mm × 60 mm

**Displacement :** 680 c.c.

**Compression Ratio :** 11.3:1

**Power Output :** 56hp(41kw) at 5800rpm (continuous)  
60hp(44kw) at 6200rpm (3min./Take off)

**Torque Max. :** 7 kgm at 5000rpm

**Max RPM :** 6200 RPM

**Cylinders :** Nickel Ceramic Composite Coated  
Cylinders

**Pistons :** PVD Coated Piston Rings

**Valve Gap :** Automatic Adjustment by Hydraulic  
Lifters

**Camshaft :** One Central Camshaft-Pushrods-OHV

**Direction Of Rotation :** Counter Clockwise

(Looking from pilot seat, tractor configuration)

**Cooling :** Air-Cooled Cylinders  
Oil-Cooled Cylinder Heads

**Lubrication :** Dry Sump Forced Lubrication by Trochoid Pump,  
Camshaft Driven (Pressure pump & scavenge pumps equipped)

**Ignition System :** Dual CDI (Capacitive Discharge Ignition)

**Generator Output :** AC-12Volts 210Watts

**Regulator/Rectifier :** Three Phase Regulator

**Starter :** Electric Only

**Spark plugs :** DENSO IK24C11

**Electrode spacing :** 1.1 mm

**Fuel Consumption :** Approx. 9 Liters/hour at 4750rpm

**Reduction Gear :** Integrated With Torsional Shock Absorption

**TBO :** 1000 Hours

**Standard Version includes :** Carburetors with clamps, Fuel Pump  
Air Filter, Gear Box, Electrical Equipment

**Weights :** Engine: 49.1 kg 108 lbs.

(Dry, With all Electrical Equipment,  
Electric Starter, Carburetors and Gearbox)

Exhaust System: 3.2 kg 7 lbs.

Oil Tank & Cooler: 2.7 kg 6 lbs.

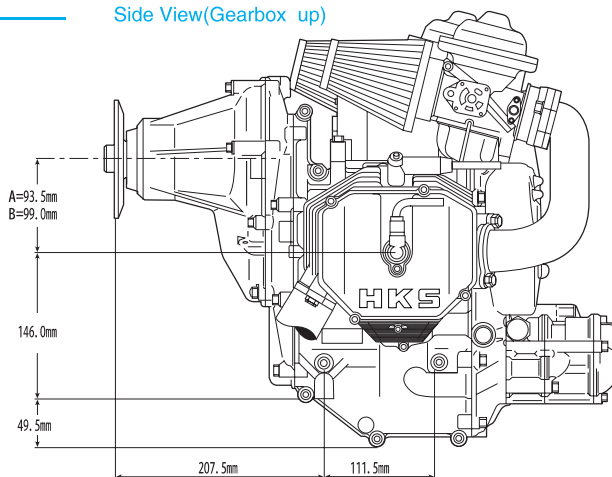
Totals: 55.0 kg 121 lbs.

**Optional features :**

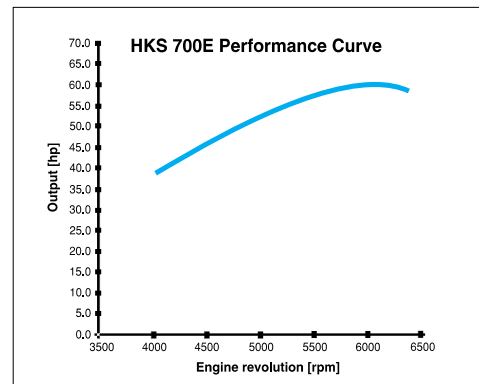
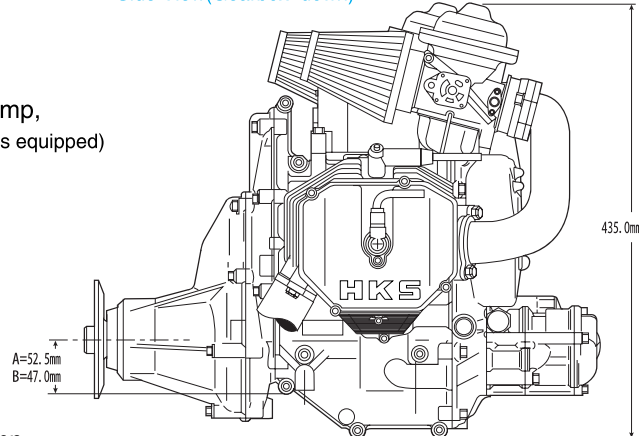
**Reduction Box :** "A" box with ratio: 2.58

"B" box with ratio: 3.47

Side View(Gearbox up)



Side View(Gearbox down)



7181 kitayama, Fujinomiya-shi, Shizuoka-ken 418-0192 JAPAN  
Tel. +81- (0) 544-54-1781 • Fax +81- (0) 544-54-1410  
E-mail : hks\_aviation@hks-power.co.jp  
HomePage [http://www.hks-power.co.jp/hks\\_aviation/](http://www.hks-power.co.jp/hks_aviation/)

MADE IN JAPAN

HKS AVIATION AUTHORISED DISTRIBUTOR

Air Parts Sales Unlimited, LLC

Frank flybuy1@comcast.net 954-788-6660

Stephen sford@apsu-hks.com 262-439-8429

2273 SE 10th St

Pompano Beach, Fl

33062

WARNING! This is a non-certified aircraft engine, the possibility of engine failure exists at all times. Do not operate this engine over densely populated areas. Do not operate this engine over terrain where a safe, power off landing cannot be performed. The operating and maintenance instructions supplied with this engine must be followed at all times. Flying any aircraft involves the risk of injury or death, building and maintaining your own aircraft requires great personal responsibility.